

$\frac{1}{2}$ in. (13 mm) Kaowool M board
 16 gauge ($\frac{1}{16}$ in. 1.6mm) aluminum sheet metal
 $\frac{1}{8}$ in. (3.2 mm) angle iron

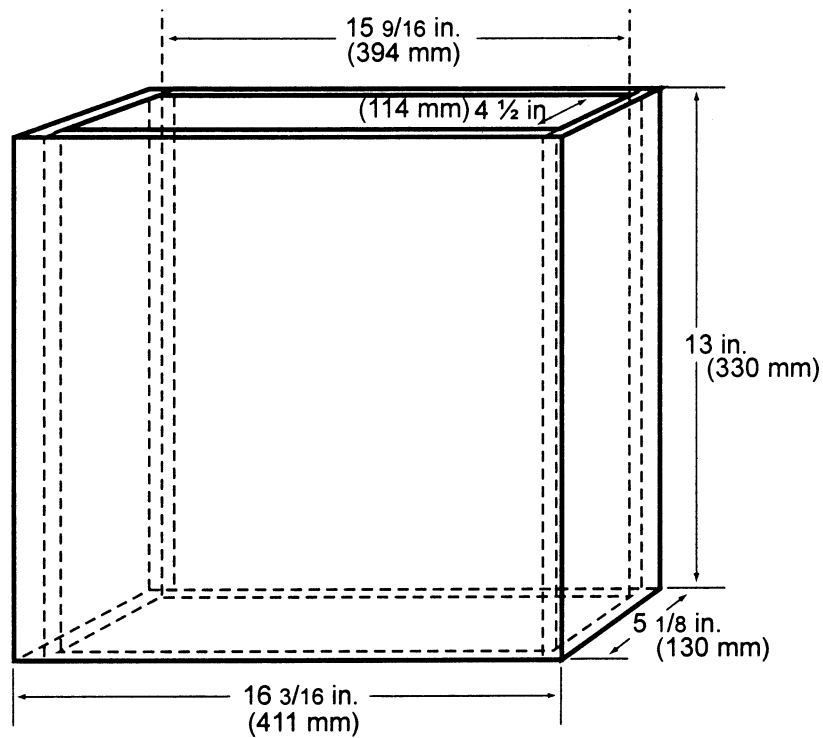


Figure 2 - Internal Chimney

(2) *Radiant heat source.* Mount the radiant heat energy source in a cast iron frame or equivalent. An electric panel must have six, 3-inch wide emitter strips. The emitter strips must be perpendicular to the length of the panel. The panel must have a radiation surface of $12\frac{7}{8}$ by $18\frac{1}{2}$ inches (327 by 470 mm). The panel must be capable of operating at

temperatures up to 1300 °F (704 °C). An air propane panel must be made of a porous refractory material and have a radiation surface of 12 by 18 inches (305 by 457 mm). The panel must be capable of operating at temperatures up to 1,500 °F (816 °C). See figures 3a and 3b.